

IN LINE PRESSURE SWITCH SERIES PRS L

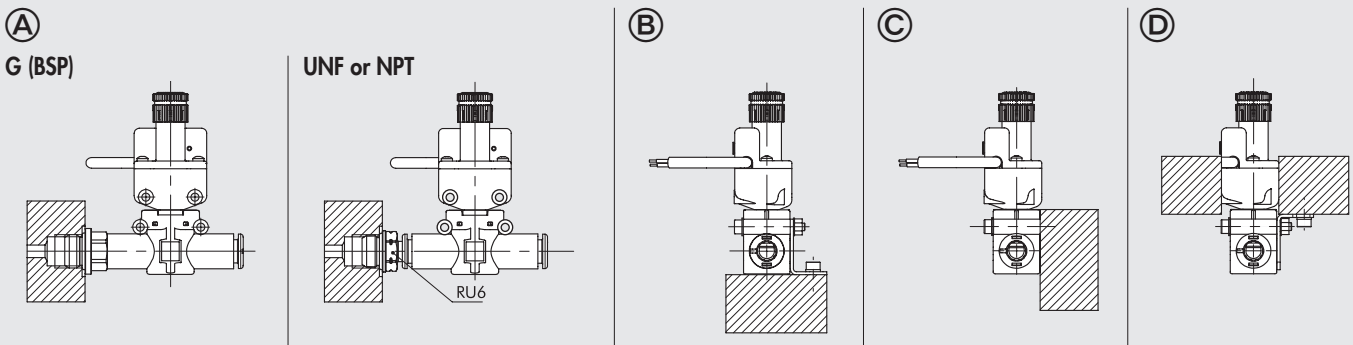
The PRS L pressure switch belongs to the LINE ON LINE® range and can therefore be connected in series or in parallel to all other products. It is available in a version for tube-to-tube connection, which includes two automatic fittings, or in a version for thread-to-tube connection, which includes a nickel-plated brass male thread and an automatic fitting. The pressure switch can be installed in any position and orientation. It is supplied pre-assembled and complete with an electrical cable to save wiring time. You can choose between a 2-metre cable or an M8 connector with a 300-mm cable. It is a switchover contact, which means that both normally open and normally closed signals are provided. Adjustment is by means of a knurled knob with a push-lock system.



TECHNICAL DATA

		Ø 6	Ø 1/4"	Ø 8 (Ø5/16")
Maximum pressure	MPa		1	
	bar		10	
	psi		145	
Operating temperature range at: 1 MPa; 10 bar; 145 psi	°C		50	
	°F		122	
Adjustable pressure interval	bar		0.5 to 10	
Hysteresis (not adjustable)	bar		From 0.4 to 0.8 (see diagram following pages)	
Maximum current	A		2	
Maximum voltage	V		250	
Outside diameter of cable	mm		4.9	
Number of wires and cross section			3 x 0.5 mm ²	
Contacts			Normally-Open (NO) and Normally-Closed (NC)	
Protection			IP65	
Number of switchings			5 x 10 ⁶	
Recommended pipe			Rilsan PA11 - Nylon 6 - Polyamide 12 - Polypropylene	
Fluid			Filtered lubricated or unlubricated compressed air. Lubrication, if used, must be continuous.	
Mounting position			In any position	

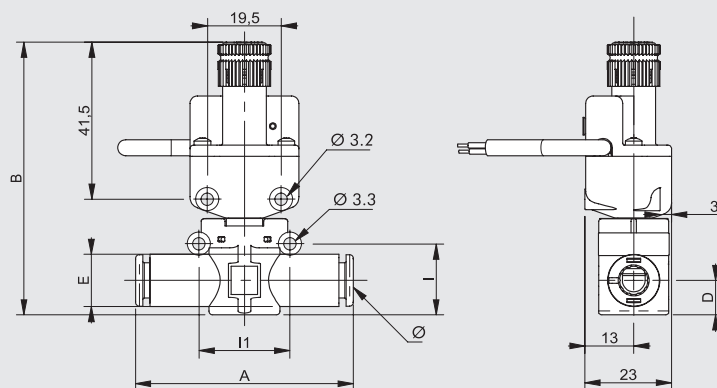
ASSEMBLY OPTIONS



How to mount the PRS L:

- Fig. **A** **G (BSP)**: With the male threaded port it is possible to mount the PRS L straight onto the female thread.
UNF or NPT: Adding a RU6 fitting, with his male UNF or NPT thread, it is possible to mount the PRS L straight on to the actuator or the control valve.
- Fig. **B** Fixing to the plate with the special SQU L bracket.
- Fig. **C** There are two robust rings on the plastic body for fixing the PRS L straight onto the wall.
- Fig. **D** Use the SQU L bracket for panel mounting the PRS L.

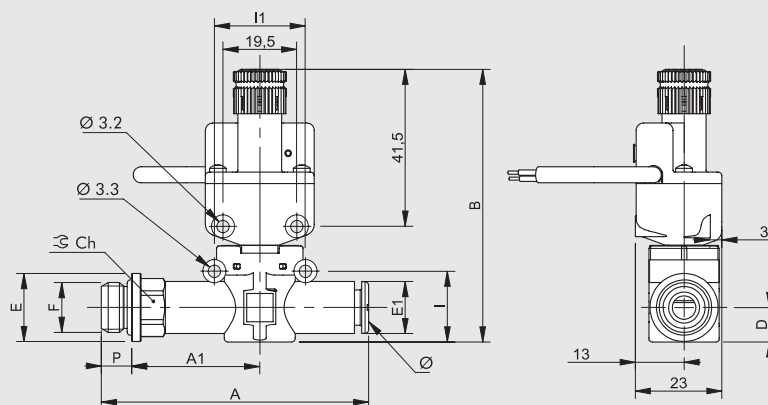
PRS L PIPE - PIPE



Code	Ref.	Ø	A	B	D	E	I	I1
9070016	PRS L Ø6-Ø6 2 metres cable	6	49.4	~72	6.4	11.4	14.6	20
9070116	PRS L Ø6-Ø6 M8 connector	6	49.4	~72	6.4	11.4	14.6	20
9070016U	PRS L Ø1/4-1/4 2 metres cable	1/4	49.4	~72	6.4	11.4	14.6	20
9070116U	PRS L Ø1/4-1/4 M8 connector	1/4	49.4	~72	6.4	11.4	14.6	20
9070024	PRS L Ø8-Ø8 2 metres cable	8 ▲	57.3	~73	9.1	13.8	18.7	24
9070124	PRS L Ø8-Ø8 M8 connector	8 ▲	57.3	~73	9.1	13.8	18.7	24

▲ Ø8 = Ø5/16"

PRS L THREAD - PIPE

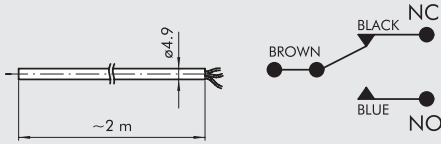


Code	Ref.	F	Ø	P	A	A1	B	D	E	E1	I	I1	Ch
9070208	PRS L 1/8-Ø6 2 metres cable	1/8	6	6	58.5	27.8	~72	6.4	14	11.4	14.6	20	12
9070308	PRS L 1/8-Ø6 M8 connector	1/8	6	6	58.5	27.8	~72	6.4	14	11.4	14.6	20	12
9070209	PRS L 1/4-Ø6 2 metres cable	1/4	6	8	61.5	28.8	~72	6.4	18	11.4	14.6	20	14
9070309	PRS L 1/4-Ø6 M8 connector	1/4	6	8	61.5	28.8	~72	6.4	18	11.4	14.6	20	14
9070210	PRS L 1/8-Ø8 2 metres cable	1/8	8 ▲	6	66.2	31.8	~73	9.1	15	13.8	18.7	24	12
9070310	PRS L 1/8-Ø8 M8 connector	1/8	8 ▲	6	66.2	31.8	~73	9.1	15	13.8	18.7	24	12
9070211	PRS L 1/4-Ø8 2 metres cable	1/4	8 ▲	8	70.6	34.2	~73	9.1	18	13.8	18.7	24	14
9070311	PRS L 1/4-Ø8 M8 connector	1/4	8 ▲	8	70.6	34.2	~73	9.1	18	13.8	18.7	24	14
9070212	PRS L 3/8-Ø8 2 metres cable	3/8	8 ▲	9	72.2	34.8	~73	9.1	22	13.8	18.7	24	17
9070312	PRS L 3/8-Ø8 M8 connector	3/8	8 ▲	9	72.2	34.8	~73	9.1	22	13.8	18.7	24	17

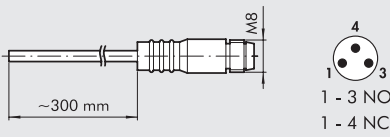
▲ Ø8 = Ø5/16"

WIRING DIAGRAM

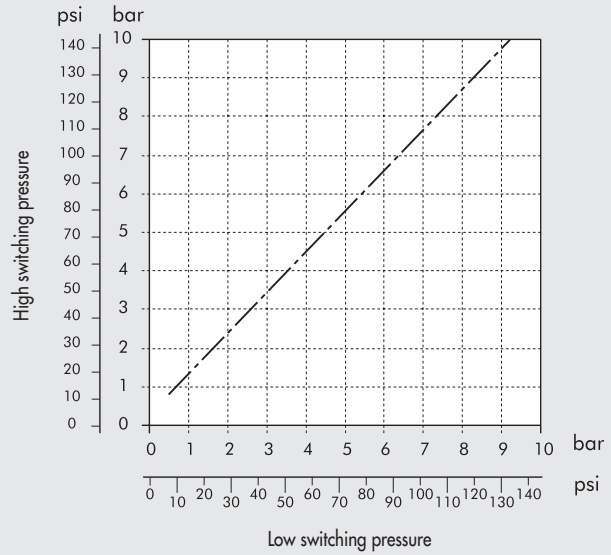
VERSION WITH CABLE



VERSION WITH M8 CONNECTOR

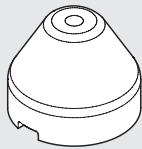


HYSTERESIS GRAPH



ACCESSORIES

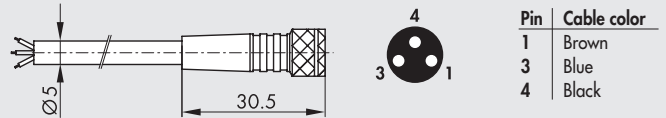
SECURITY KNOB



Code	Description
9200703	Security knob APR / pressure switch

NOTE: Pull outwards to remove the knob from the pressure switch on the unit. Insert the security knob and regulate the pressure switch. Then press the handle firmly to lock it in position. If the pressure switch needs to be reset, remove the security knob by forcing it laterally with a screwdriver.

M8 STRAIGHT CONNECTOR WITH CABLE



Code	Description
02400A0100	M8 female 3 PIN HIGH FLEX CL6 connector with cable L = 1 m
02400A0250	M8 female 3 PIN HIGH FLEX CL6 connector with cable L = 2.5 m
02400A0500	M8 female 3 PIN HIGH FLEX CL6 connector with cable L = 5 m
02400A1000	M8 female 3 PIN HIGH FLEX CL6 connector with cable L = 10 m

Mobile laying cable, class 6 according to IEC 60228

NOTES